

HISTORICAL COPY
DO NOT REMOVE

Form 19522
(740)

Printed in U. S. A.

LIST OF PARTS



SINGER** MACHINES

No. 11-30

THE SINGER MANUFACTURING COMPANY

** A Trade Mark of THE SINGER MANUFACTURING COMPANY

INSTRUCTIONS FOR OILING

To ensure easy running and prevent unnecessary wear of the parts which are in movable contact, the machine requires oiling and when in continuous use, "TYPE B" or "TYPE D" OIL, sold by Singer Sewing Machine Company, should be applied at least twice each day to all oil holes marked "OIL", as instructed in Form 8261.

"TYPE D" OIL should be used when an oil is desired which will produce a minimum of stain on fabrics, even after a long period of storage.

Apply a few drops of oil to the shuttle bearings in the shuttle race each time a bobbin is replaced.

Copyright, U. S. A., 1918 and 1940
by The Singer Manufacturing Company
All Rights Reserved for all Countries

INDEX

	Page
Accessories.....	14
Bobbin Winder.....	14
Column Stand.....	14
Foot Lifter Parts.....	15
Numerical List of Parts.....	17
Machine No. 11-30.....	5
Motor Starting Parts.....	16

INSTRUCTIONS FOR ORDERING

In ordering from this list, use ONLY the part NUMBER in the FIRST column.

The number stamped on a Sewing Machine Part is in every case the number of the single part only.

Every combination of parts sent out as such has its specific number, which, although not stamped on the parts, must be used when ordering the combination.

Each number always indicates the SAME PART in whatever list it appears, or for whatever machine.

The letters after some of the numbers indicate the style of finish only, as follows:

- A-Hardened, Polished, Nickel Plated and Buffed
- A.A-Buffed and Chromium Plated
- A.B-Hardened, Polished, Buffed and Chromium Plated
- A.C-Brown Baking Enamel Finish
- A.D-Gray Baking Enamel Finish
- A.E-Hardened, Bright Rumbled and Nickel Plated
- A.F-Hardened, Bright Rumbled, Nickel Plated, Bright Rumbled and Chromium Plated
- B-Polished, Nickel Plated and Buffed
- C-Hardened only
- C.R-Hardened and Nerlized
- D-Polished only
- E-Soft, Not Polished
- F-Hardened and Polished
- F.J-Hardened, Polished and Nickel Plated
- G-Bright Rumbled and Nickel Plated
- H-Blue
- J-Nickel Plated Only
- K-Hardened and Nickel Plated
- L-Brass Plated
- M-Oxidized
- N-Japaned, Dull
- P-Japaned, Bright
- P.P-Wrinkle Finish
- R-Nerlized
- S-Cadmium Plated
- T-Copper Plated
- T.A-Hardened, Polished, Copper and Nickel Plated and Buffed
- T.B-Copper and Nickel Plated and Polished
- T.J-Copper and Nickel Plated only
- T.K-Hardened, Copper and Nickel Plated
- T.L-Copper and Brass Plated
- T.M-Copper Plated and Oxidized
- U-Zinc Plated
- V-Silver Plated
- W-Polished and Nickel Plated
- X-Black Oxide, for Iron and Steel
- X.C-Hardened and Black Oxide, for Iron or Steel
- Y-Black Nickel Plated only
- Z-Chromium Plated
- Z.A-Hardened, Polished, Nickel Plated, Buffed and Chromium Plated
- Z.B-Polished, Nickel Plated, Buffed and Chromium Plated
- Z.C-Hardened and Chromium Plated
- Z.D-Polished and Chromium Plated
- Z.G-Bright Rumbled, Nickel Plated, Bright Rumbled and Chromium Plated
- Z.J-Nickel and Chromium Plated
- Z.T-Copper and Chromium Plated

These letters MUST BE USED when they appear in the list; and AFTER the number as in the list.

In this series:

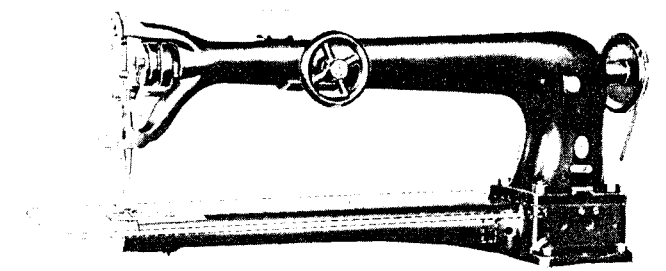
- 1 to 1800, 5000 to 5100 and 13001 to 14000 are Screw Numbers
- 1501 to 1800 and 51501 to 51800 are Nut Numbers
- 1801 to 2000 and 51801 to 52000 are Washer Numbers
- 2001 to 30000 and 10001 to 140000 are Sewing Machine Parts, 10001 and upward are numbers of Electrical Parts.

The figures in the second column refer only to the plates, illustrating the parts, and are NOT TO BE USED in ordering.

Parts marked with an asterisk (*) are furnished only when repairs are made at factory.

When ordering parts which differ as to Gauge (the distance between seams) the Gauge, as well as the Number must be given on order.

LIST OF PARTS COMPLETE FOR



MACHINE No. II-30

For Stitching Rubberized Material for Balloon and Aeroplane Work. Two needles, two shuttles. Gauges from 3/16 inch to 1/2 inch, in steps of 1/16 inch. The standard gauge is 3/8 inch. Maximum stitch 4 to the inch. Clearance under presser foot 3/16 inch. Feed ACROSS the cylinder. Alternating pressers. Foot lifter. Speed 800 R. P. M.

No.	Plate	Name
*56633	-----	Arm with 15404 and two 15405.....
122481	23527	" Dowel Pin (2).....
50349E	23527	" Screw.....
43263	23527	" " Washer.....
14786	23526	" Shaft.....
20640	23527	" " Oil Tube, for intermediate bearing (back).....
122505	23527	Arm Shaft Oil Tube, for intermediate bearing (front).....
11354	23526	Arm Shaft Bushing.....
437C	23526	" " " Set Screw (2).....
56536	23526	" " " Gear with two 445C.....
3012	23526	" " " Pin.....
445C	23526	" " " Set Screw (2).....
14578	23526	" Side Cover.....
65D	23526	" " " Hinge Screw.....

PARTS FOR MACHINE No. 11-30

No.	Plate	Name
14579	23526	Arm Side Wheel with two 446C.....
446C	23526	" " " Set Screw (2).....
14607	23526	" " " Shaft.....
122328	23526	" " " " Bushing.....
434C	23526	" " " " Set Screw (2)
56537	23526	" " " " Gear with 453C.....
122443	23526	Arm Side Wheel Shaft Gear Cover complete, Nos. 122441, 122442 and two 164D....
122441	23526	Arm Side Wheel Shaft Gear Cover.....
122442	23526	" " " " " " Strap...
164D	23526	" " " " " " " Screw (2).....
2117	23526	Arm Side Wheel Shaft Gear Pin.....
453C	23526	" " " " " Set Screw....
144D	23526	" " " " " Screw.....
2415	23526	" Spool Bracket.....
15063	23526	" " " 2415 with two 52239...
52239	23526	" " " Spool Pin and Thread Eyelet.....
11241	23526	Arm Spool Bracket Spool Pin Washer (cloth) (2).....
145D	23526	Arm Spool Bracket Screw.....
56630	23526	Balance Wheel with two 434C.....
434C	23526	" " " Set Screw (2).....
56636	23530	Cloth Plate.....
56637	23530	" " Bracket (left) with two 345C
894F	23530	" " " " Screw (2)....
345C	23530	" " " " Set Screw (2)
122509	23530	" " " (right) back.....
134D	23530	" " " " " Hinge Screw.....
51464C	23530	Cloth Plate Bracket (right) back, Screw (2).....
51675R	23530	Cloth Plate Bracket (right) back, Screw Nut (2).....
122510	23530	Cloth Plate Bracket (right) front.....
134D	23530	" " " " " Hinge Screw.....
51464C	23530	Cloth Plate Bracket (right) front, Screw (2).....
51675R	23530	Cloth Plate Bracket (right) front, Screw Nut (2).....
56641	23530	Cloth Plate with Brackets complete, Nos. 56636, 56637, 122509, 122510, two 894F and four each 51464C and 51675R
11363	23526	Crank Connecting Rod with two 145E.....
145E	23526	" " " Cap Screw (2).....
565C	23526	" " " Hinge Screw.....
1513J	23526	" " " " " Nut....
*56642	-----	Cylinder.....

PARTS FOR MACHINE No. 11-30

No.	Plate	Name
11367	23526	Feed Cam with two 445C.....
445C	23526	" " " Set Screw (2).....
11368	23526	" Connecting Link.....
565C	23526	" " " Hinge Screw (2)....
1513J	23526	" " " " " Nut (2)
122485	23531	Feed Dog, 13 teeth (18 teeth to the inch) for 122495.....
122486	23527	Feed Dog Carrier.....
231C	23531	" " Screw.....
14502	23526	" Forked Connection.....
6132	23527	" " " Universal Joint..
212C	23527	" " " " " Cap Screw.....
23C	23527	Feed Forked Connection Universal Joint Hinge Screw.....
14583	23526	Feed Regulator.....
566C	23526	" " Hinge Screw.....
50322C	23526	" " Thumb Screw.....
56644	23527	" Rock Shaft.....
122487	-----	" " " 56644 with 122486.....
56645	23527	" " Shaft.....
*56708	-----	" " " 56645 with 14524 and 56707, for 304.....
14505	23527	Feed Rock Shaft Arm with 436C.....
56707	-----	" " " " 14505 with 212C and 6132.....
2117	23527	Feed Rock Shaft Arm Pin.....
436C	23527	" " " " Set Screw.....
20640	23527	" " " Back Bearing Oil Tube...
14526	23527	" " " Crank (forked) with 445C, for 56644.....
14522	23527	Feed Rock Shaft Crank with 445C, for 14524.....
14524	-----	Feed Rock Shaft Crank complete, for 56645, Nos. 164D, 6312, 14522 and 14523
3012	23527	Feed Rock Shaft Crank Pin for 14526.....
2117	23527	" " " " " for 14522.....
14523	23527	" " " " Roller.....
164D	23527	" " " " " Cap Screw..
6312	23527	" " " " " " " " Washer.....
445C	23527	Feed Rock Shaft Crank Set Screw.....
304C	23527	" " " Screw Center (2).....
1513J	23527	" " " " " Nut (2)....
56646	23528	Lifting Presser Bar.....
56647	23528	" " " Bell Crank.....
56648	23528	" " " " " Connecting Link.....
50449D	23528	Lifting Presser Bar Bell Crank Connect- ing Link Hinge Screw.....

PARTS FOR MACHINE No. 11-30

No.	Plate	Name
50450D	23528	Lifting Presser Bar Bell Crank Hinge Screw.....
212D	23528	Lifting Presser Bar Bell Crank Hinge Stud Cap Screw.....
56649	23528	Lifting Presser Bar Bushing (lower)....
56650	23528	" " " Guide Bracket with 159D and 453C.....
159D	23528	Lifting Presser Bar Guide Bracket Adjusting Screw.....
56651	23528	Lifting Presser Bar Guide Bracket Guide.
180D	23528	" " " " " " Screw (2).....
1316C	23528	Lifting Presser Bar Guide Bracket Screw Stud.....
453C	23528	Lifting Presser Bar Guide Bracket Set Screw.....
56652	23528	Lifting Presser Bar Lifter with 8761 and 8763.....
8760	23528	Lifting Presser Bar Lifter Friction Washer.....
16D	23528	Lifting Presser Bar Lifter Hinge Screw..
8761	23528	" " " " Stop Pin....
122499	23528	" " " Lifting Link.....
8763	23528	" " " " " Hinge Stud.....
8973	23528	Lifting Presser Bar Lifting Link Hinge Stud Pin.....
43267	23528	Lifting Presser Bar Lifting Link Hinge Stud Washer.....
56654	23528	Lifting Presser Bar Rock Shaft.....
58578	23528	" " " " " Adjusting Arm with 453C.....
2117	23528	Lifting Presser Bar Rock Shaft Adjusting Arm Pin.....
453C	23528	Lifting Presser Bar Rock Shaft Adjusting Arm Set Screw.....
56655	23528	Lifting Presser Bar Rock Shaft Bracket..
4389	23528	" " " " " " Dowel Pin.....
2002	23528	Lifting Presser Bar Rock Shaft Bracket Dowel Pin (short).....
123D	23528	Lifting Presser Bar Rock Shaft Bracket Screw (2).....
56656	23528	Lifting Presser Bar Rock Shaft Crank with 453C.....
2117	23528	Lifting Presser Bar Rock Shaft Crank Pin
453C	23528	" " " " " " Set Screw.....
11486	23528	Lifting Presser Bar Rock Shaft Eccentric Strap with two each 141F and 1528D..

PARTS FOR MACHINE No. 11-30

No.	Plate	Name
141F	23528	Lifting Presser Bar Rock Shaft Eccentric Strap Adjusting Screw (2).....
1528D	23528	Lifting Presser Bar Rock Shaft Eccentric Strap Adjusting Screw Nut (2).....
608C	23528	Lifting Presser Bar Rock Shaft Eccentric Strap Hinge Screw.....
1518E	23528	Lifting Presser Bar Rock Shaft Eccentric Strap Hinge Screw Nut.....
11487	23528	Lifting Presser Bar Rock Shaft Eccentric Strap Hinge Screw Slide.....
11488	23528	Lifting Presser Bar Rock Shaft Eccentric Strap Hinge Screw Slide Washer.....
6467	23528	Lifting Presser Bar Spring.....
6533	23528	" " " " Stop Collar with 460C.....
460C	23528	Lifting Presser Bar Spring Stop Collar Set Screw.....
122488	23531	Lifting Presser Foot.....
122466	23531	" " " Bracket with 180E..
180E	23531	" " " " Screw.....
190D	23531	Lifting Presser Foot Screw.....
122489	23528	Needle Bar.....
122490	----	" " 122489 with 1186F, 50396F, 122491 and 122492.....
56661	23528	Needle Bar Bushing (lower).....
122483	23528	" " " (upper).....
56662	23528	" " Connecting Link.....
377C	23528	" " " " Hinge Screw..
1518E	23528	" " " " " Nut
21629	23528	" " " Stud with 150C....
155C	23528	" " " Set Screw....
122491	23528	" Clamp with two 50429C.....
122492	23528	" " Holder.....
1186F	23528	" " " Clamping Screw.....
50396F	23528	" " Screw.....
50429C	23528	" Set Screw (2).....
56534	23527	Oscillating Rock Shaft.....
56535	----	Oscillating Rock Shaft complete, Nos. 622C, 11165, 11398, 56534 and two 1508E
11398	23527	Oscillating Rock Shaft Hinge Pin.....
1508E	23527	" " " " " Nut....
622C	23527	" " " " " Screw
1508E	23527	Bearing.....
11165	23527	Oscillating Rock Shaft Hinge Pin Screw Bearing Nut.....
56664	23527	Oscillating Rock Shaft Oil Pad.....
122502	23527	" Shaft.....
453C	23527	" " Collar with two 453C..
11848	23527	" " " Set Screw (2)..
		" " Crank.....

PARTS FOR MACHINE No. 11-30

No.	Plate	Name
19696	-----	Oscillating Shaft Crank complete, Nos. 453C, 1513J, 5868 and 11848.....
40025	23527	Oscillating Shaft Crank Pin.....
453C	23527	" " " " Screw.....
9119	23527	" " " " Slide Block.....
5868	-----	Oscillating Shaft Crank Slide Block complete, Nos. 190E, 1054C, 5968 and 9119
190E	23527	Oscillating Shaft Crank Slide Block Cap Screw.....
5968	23527	Oscillating Shaft Crank Slide Block Cap Screw Washer.....
1054C	23527	Oscillating Shaft Crank Slide Block Screw Stud.....
1513J	23527	Oscillating Shaft Crank Slide Block Screw Stud Nut.....
50452E	23528	Pressure Regulating Thumb Screw.....
2210	23529	Shuttle (inside) Bobbin.....
3230	23529	" " " " Retaining Spring
2212	23529	" " " " " " Rivet (2).....
*3383	-----	Shuttle (inside) Body with 398E, 2084, 3230, 3239 and two 2212.....
*3232	23529	Shuttle (inside) Body with 398E, 2084, 3230, 3239 and two 2212.....
*3236	23529	Shuttle (inside) Cover.....
*56755	-----	" " " " 3236 with 112E, 466C, 2078, 2080, 2086 and 2090.....
2076	23529	Shuttle (inside) Cover Hinge Pin.....
2078	23529	" " " " Delivery Eye Thread Guard.....
2080	23529	Shuttle (inside) Delivery Eye Thread Guard Rivet.....
3239	23529	Shuttle (inside) Main Spring.....
398E	23529	" " " " " " Screw.....
2084	23529	" " " " " " Steady Pin.....
466C	23529	" " " " " " Tension Regulating Screw.....
2086	23529	Shuttle (inside) Tension Spring.....
2090	23529	" " " " " " Plate....
112E	23529	" " " " " " " " Screw.....
3381	-----	Shuttle (inside) complete, for 3/16 in. and 5/16 in. to 1/2 in. gauges, Nos. 2076, 2210, 3383 and 56755.....
3226	-----	Shuttle (inside) complete, for 1/4 in. gauge, Nos. 2076, 2210, 3232 and 56755.....
2210	23529	Shuttle (outside) Bobbin.....
3230	23529	" " " " " " Retaining Spring.....

PARTS FOR MACHINE No. 11-30

No.	Plate	Name
2212	23529	Shuttle (outside) Bobbin Retaining Spring Rivet (2).....
*3235	-----	Shuttle (outside) Body with 398E, 2084, 3230, 3240 and two 2212.....
*4798	-----	Shuttle (outside) Body with 398E, 2084, 3230, 3240 and two 2212.....
*3524	23529	Shuttle (outside) Body with 398E, 2084, 3230, 3240 and two 2212.....
*3237	23529	Shuttle (outside) Cover for 3229 and 3521.....
56754	-----	Shuttle (outside) Cover 3237 with 112E, 466C, 2078, 2080, 2086 and 2090.....
*4582	-----	Shuttle (outside) Cover for 4729.....
*56753	-----	" " " " 4582 with 112E, 466C, 2078, 2080, 2086 and 2090.....
2076	23529	Shuttle (outside) Cover Hinge Pin.....
2078	23529	" " " " Delivery Eye Thread Guard.....
2080	23529	Shuttle (outside) Delivery Eye Thread Guard Rivet.....
3240	23529	Shuttle (outside) Main Spring.....
398E	23529	" " " " " " Screw.....
2084	23529	" " " " " " Steady Pin
466C	23529	" " " " " " Tension Regulating Screw.....
2086	23529	Shuttle (outside) Tension Spring.....
2090	23529	" " " " " " Plate....
112E	23529	" " " " " " " " Screw.....
3229	-----	Shuttle (outside) complete, for 3/16 in. gauge, Nos. 2076, 2210, 3235 and 56754.....
4729	-----	Shuttle (outside) complete, for 1/4 in. gauge only, Nos. 2076, 2210, 4798 and 56753.....
3521	-----	Shuttle (outside) complete, for 5/16 in. to 1/2 in. gauges, Nos. 2076, 2210, 3524 and 56754.....
65024	23529	Shuttle Driver and Feed Lifting Cam.....
2049	23529	" " " " " " " " Pin.
16742	23529	" " Race Body (two pieces) with 629D
2049	23529	" " Dowel Pin (2).....
629D	23529	" " Hinge Screw.....
6223	23529	" " Lock Pin.....
1342F	23529	" " " " " " Screw.....
6224	23529	" " " " " " Spring.....
122501	23529	" " Loop Separator for 3/8 in. to 3/4 in. gauges.....
665D	23529	Shuttle Race Loop Separator Screw.....
122500	23529	Shuttle Race complete, Nos. 665D, 16742 and 122501.....

PARTS FOR MACHINE No. 11-30

No.	Plate	Name
56667	23529	Shuttle Race Cover.....
105D	23529	" " " Screw.....
738D	23529	" " " Screw (2).....
122440	23528	Tension Bracket and Vibrating Presser Bar Cap with 447C and two 7393.....
122438	23528	Tension Bracket and Vibrating Presser Bar Cap 122440 with 4797, 56631, 56671, 56675 and two 219J.....
158D	23528	Tension Bracket and Vibrating Presser Bar Cap Screw.....
5983	23528	Tension Friction Washer (felt) (2).....
5984	23528	" " " (steel).....
1560C	23528	" Regulating Thumb Nut.....
8905	23528	" " " Washer.....
817C	23528	" Stud.....
8183	-----	" " 817C with 1560C.....
447C	23528	" " Set Screw.....
56631	-----	Tension complete, Nos. 5984, 8183, 8905, 10148 and two each 5795 and 5983....
10148	23528	Tension Spring.....
56671	23528	" Thread Guard.....
219F	23528	" " " Screw.....
5795	23528	" Wheel with Flange (2).....
122503	23528	Thread Guide with two thread holes.....
1095J	23528	" " " Screw.....
56672	23528	" Retainer Bracket.....
122439	-----	Thread Retainer Bracket complete, Nos. 190D, 2413, 56672 and two 56632.....
2413	23528	Thread Retainer Bracket Thread Eyelet (double).....
190D	23528	Thread Retainer Bracket Thread Eyelet Screw.....
164D	23528	Thread Retainer Bracket Screw.....
56632	-----	Thread Retainer complete, Nos. 210G, 8905, 33929 and two 2102 (2).....
2102	23528	Thread Retainer Disc (2).....
1560C	23528	" " " Regulating Thumb Nut (2)
8905	23528	" " " Washer.....
637C	23528	Thread Retainer Screw Stud (2).....
33929	-----	" " " " 637C with 1560C.....
2103	23528	Thread Retainer Spring (2).....
56673	23526	" Take-up Cam with two 437C.....
8873	23526	" " " Pin.....
437C	23526	" " " Set Screw (2).....
56714	23528	" " " Lever with 1995.....
122311	-----	" " " 56714 with 50437D..
50437D	23528	" " " Hinge Screw.....
1995	23528	" " " Roller and Screw Stud with 1518E.....

PARTS FOR MACHINE No. 11-30

No.	Plate	Name
1518E	23528	Thread Take-up Lever Roller and Screw Stud Nut.....
4797	23528	Thread Take-up Spring (double thread eyelet).....
56675	23528	Thread Take-up Spring Regulator Plate...
219J	23528	" " " " " "
56676	23531	Screw.....
122493	23531	Throat Plate Body.....
122494	23531	" " Needle Plate (small needle hole).....
401D	23531	Throat Plate Needle Plate (large needle hole).....
122495	23531	Throat Plate Needle Plate Screw (2)....
164D	23531	Throat Plate complete, for 122485, for 5/16 in. gauge, Nos. 56676, 122493, 122494 and two 401D.....
122496	23528	Throat Plate Screw (4).....
122497	-----	Vibrating Presser Bar with 61605.....
122504	23528	" " " " 122496 with 122504 and two 220J.....
220J	23528	Vibrating Presser Bar Cushion (rawhide).
56682	23528	" " " " Screw (2).
7393	23528	" " " " Guide Plate.....
140148F	23528	" " " " " " Posi- tion Pin (2).....
56683	23528	Vibrating Presser Bar Hinge Screw.....
61605	23528	" " " " Spring.....
50111D	23528	" " " " Hook.....
122498	23531	" " " " Screw.....
191C	23531	" " " Foot.....
*15404	-----	" " " Screw.....
15405	-----	Trade Mark.....
		" " Rivet (2).....

COLUMN STAND

No.	Plate	Name
56686	23533	Cylinder Support Rod.....
1503E	23533	" " " Nut.....
56687	23533	Column Stand.....
494E	23533	" " Screw, to secure stand to floor (5).....
779E	23533	Column Stand Screw, to secure machine to stand (4).....
56688	-----	Column Stand complete, Nos. 134D, 295C, 1503E, 1513J, 11459, 21506, 56686, 56687, 56691, 56695, 56696, 56701 to 56705, four 779E and five 494E.....

ACCESSORIES

No.	Plate	Name
56689	-----	Machine Driving Belt, size 5/16 in., length 66 in. with 25029.....
25029	23534	Machine Driving Belt Hook.....
120344	23534	Oiler (copper plated) with 120345.....
120345	23534	" Spout, 4 1/2 in. long.....
11831	23534	Screw Driver (large).....
26026	23534	" " (small).....
26485	23534	" " (shuttle tension).....
8909	23534	Wrench for 1513 and 1518.....
8910	23534	" " 1508.....

BOBBIN WINDER

(SWINGING AUTOMATIC, RIGHT HAND)

No.	Plate	Name
27540	23532	Base.....
389D	23532	" Screw.....
56690	23532	Bracket.....
134D	23532	" Screw.....
27302	23532	Frame.....
50356D	23532	" Hinge Screw.....
1620J	23532	" " " Nut.....
27303	23532	" Spring.....
27541	23532	Pulley.....
27305	23532	Spindle.....

No.	Plate	Name
27306	23532	Spool Pin.....
27307	23532	" Stand.....
27308	23532	Spool Stand complete, Nos. 418E, 1562J, 2106, 10141, 11241, 27306, 27307 and two each 2455 and wood screws 1 in. No. 10.....
56691	23532	Spool Stand Bracket.....
134D	23532	" " " Screw.....
838D	23532	" " Screw.....
11241	23532	" Washer (cloth).....
27309	23532	Stop Latch.....
35D	23532	" " Hinge Screw.....
2455	23532	Tension Disc (2).....
1562J	23532	" Regulating Thumb Nut.....
418E	23532	" Screw Stud.....
10141	23532	" Spring.....
2106	23532	" Thread Guide.....
27646	23532	Bobbin Winder, Nos. 35D, 1620J, 27302, 27303, 27305, 27309, 27540, 27541, 50356D and two wood screws 1 in. No. 7.....
27543	-----	Bobbin Winder (swinging automatic, right hand) complete, Nos. 27308 and 27646

FOOT LIFTER PARTS

(FOR COLUMN STAND)

No.	Plate	Name
56692	23533	Bell Crank (left).....
567D	23533	" " " Hinge Screw.....
19510	23533	" " " Spring.....
19694	23533	" " " " Hook.....
86D	23533	" " " " Screw.....
56693	23533	" " (right).....
567D	23533	" " " Hinge Screw.....
56694	23533	" " " Connecting Rod.....
43137	23533	Chain, length 34 in. with 39575 and 39576.....
39575	23533	Chain Connecting Link Hook (lower).....
39576	23533	" " " " (upper).....
56695	23533	Treadle.....
56696	23533	" Spring.....
295C	23533	" Stop Screw.....
1513J	23533	" " " Nut.....
56697	-----	Foot Lifter complete, for column stand, Nos. 86D, 295C, 1513J, 19510, 19694, 43137, 56692 to 56696 and two 567D..

MOTOR STARTING PARTS

(FOR COLUMN STAND)

No.	Plate	Name
56701	23533	Motor Starting Lever Connection.....
356C	23533	" " " " Set Screw
21506	23533	" " " " Stop Collar with 457C.....
457C	23533	Motor Starting Lever Connection Stop Collar Set Screw.....
56702	23533	Motor Starting Treadle with two 356C....
356C	23533	" " " " Set Screw (2)....
56703	23533	" " " " Shaft.....
11459	23533	" " " " Collar with two 448C.....
448C	23533	Motor Starting Treadle Shaft Collar Set Screw (2).....
56704	23533	Motor Starting Treadle Shaft Crank with two 356C.....
56705	23533	Motor Starting Treadle Shaft Crank Hook.
356C	23533	" " " " " " Set Screw.....

NUMERICAL LIST OF PARTS

No.	Plate	Name
16D	23528	Lifting Presser Bar Lifter Hinge Screw..
23C	23527	Feed Forked Connection Universal Joint Hinge Screw.....
35D	23532	Bobbin Winder Stop Latch Hinge Screw for 27646.....
65D	23526	Arm Side Cover Hinge Screw.....
86D	23533	Bell Crank (left) Spring Screw for 56697
105D	23529	Shuttle Race Cover Screw.....
112E	23529	" (inside) Tension Spring Plate Screw for 56755.....
112E	23529	Shuttle (outside) Tension Spring Plate Screw for 56753 and 56754.....
123D	23528	Lifting Presser Bar Rock Shaft Bracket Screw (2).....
134D	23530	Cloth Plate Bracket (right) back, Hinge Screw.....
134D	23530	Cloth Plate Bracket (right) front, Hinge Screw.....
134D	23532	Bobbin Winder Bracket Screw.....
134D	23532	" " Spool Stand Bracket Screw for 56688.....
141F	23528	Lifting Presser Bar Rock Shaft Eccentric Strap Adjusting Screw for 11486 (2).
144D	23526	Arm Side Wheel Shaft Screw.....
145D	23526	" Spool Bracket Screw.....
145E	23526	Crank Connecting Rod Cap Screw for 11363 (2).....
155C	23528	Needle Bar Connecting Stud Set Screw for 21629.....
158D	23528	Tension Bracket and Vibrating Presser Bar Cap Screw.....
159D	23528	Lifting Presser Bar Guide Bracket Ad- justing Screw for 56650.....
164D	23526	Arm Side Wheel Shaft Gear Cover Strap Screw for 122443 (2).....
164D	23527	Feed Rock Shaft Crank Roller Cap Screw for 14524.....
164D	23528	Thread Retainer Bracket Screw.....
164D	23531	Throat Plate Screw (4).....
180D	23528	Lifting Presser Bar Guide Bracket Guide Screw (2).....
180E	23531	Lifting Presser Foot Bracket Screw for 122466.....
190D	23531	Lifting Presser Foot Screw.....
190D	23528	Thread Retainer Bracket Thread Eyelet Screw for 122439.....

NUMERICAL LIST OF PARTS

No.	Plate	Name
190E	23527	Oscillating Shaft Crank Slide Block Cap Screw for 5868.....
191C	23531	Vibrating Presser Foot Screw.....
212C	23527	Feed Forked Connection Universal Joint Cap Screw for 56707.....
212D	23528	Lifting Presser Bar Bell Crank Hinge Stud Cap Screw.....
219J	23528	Thread Take-up Spring Regulator Plate Screw for 122438.....
219F	23528	Tension Thread Guard Screw.....
220J	23528	Vibrating Presser Bar Cushion Screw for 122497 (2).....
231C	23531	Feed Dog Screw.....
295C	23533	Treadle Stop Screw for 56688 and 56697..
304C	23527	Feed Rock Shaft Screw Center (2).....
345C	23530	Cloth Plate Bracket (left) Set Screw for 56637 (2).....
356C	23533	Motor Starting Lever Connection Set Screw for 56704.....
356C	23533	Motor Starting Treadle Set Screw for 56702 (2).....
356C	23533	Motor Starting Treadle Shaft Crank Set Screw for 56704.....
377C	23528	Needle Bar Connecting Link Hinge Screw..
389D	23532	Bobbin Winder Base Screw.....
398E	23529	Shuttle (inside) Main Spring Screw for 3232 and 3383.....
398E	23529	Shuttle (outside) Main Spring Screw for 3235, 3524 and 4798.....
401D	23531	Throat Plate Needle Plate Screw for 122495 (2).....
418E	23532	Bobbin Winder Tension Screw Stud for 27308.....
434C	23526	Arm Side Wheel Shaft Bushing Set Screw (2).....
434C	23526	Balance Wheel Set Screw for 56630 (2)...
436C	23527	Feed Rock Shaft Arm Set Screw for 14505.
437C	23526	Arm Shaft Bushing Set Screw (2).....
437C	23526	Thread Take-up Cam Set Screw for 56673 (2).....
445C	23526	Arm Shaft Gear Set Screw for 56536 (2)..
445C	23526	Feed Cam Set Screw for 11367 (2).....
445C	23527	" Rock Shaft Crank Set Screw for 14522 and 14526.....
446C	23526	Arm Side Wheel Set Screw for 14579 (2)..
447C	23528	Tension Stud Set Screw for 122440.....
448C	23533	Motor Starting Treadle Shaft Collar Set Screw for 11459 (2).....
453C	23526	Arm Side Wheel Shaft Gear Set Screw for 56537.....

NUMERICAL LIST OF PARTS

No.	Plate	Name
453C	23528	Lifting Presser Bar Guide Bracket Set Screw for 56650.....
453C	23528	Lifting Presser Bar Rock Shaft Adjusting Arm Set Screw for 58578.....
453C	23528	Lifting Presser Bar Rock Shaft Crank Set Screw for 56656.....
453C	23527	Oscillating Shaft Collar Set Screw for 122502 (2).....
453C	23527	Oscillating Shaft Crank Screw for 19696.
457C	23533	Motor Starting Lever Connection Stop Collar Set Screw for 21506.....
460C	23528	Lifting Presser Bar Spring Stop Collar Set Screw for 6533.....
466C	23529	Shuttle (inside) Tension Regulating Screw for 56755.....
466C	23529	Shuttle (outside) Tension Regulating Screw for 56753 and 56754.....
494E	23533	Column Stand Screw, to secure stand to floor, for 56688 (5).....
565C	23526	Feed Connecting Link Hinge Screw (2)....
565C	23526	Crank Connecting Rod Hinge Screw.....
567D	23533	Bell Crank (left) Hinge Screw for 56697.
567D	23533	" " (right) Hinge Screw for 56697
568C	23526	Feed Regulator Hinge Screw.....
608C	23528	Lifting Presser Bar Rock Shaft Eccentric Strap Hinge Screw.....
622C	23527	Oscillating Rock Shaft Hinge Pin Screw Bearing for 56535.....
629D	23529	Shuttle Race Hinge Screw for 16742.....
637C	23528	Thread Retainer Screw Stud for 33929 (2)
665D	23529	Shuttle Race Loop Separator Screw for 122500.....
738D	23529	Shuttle Race Screw (2).....
779E	23533	Column Stand Screw, to secure machine to stand, for 56688 (4).....
817C	23528	Tension Stud for 8183.....
838D	23532	Bobbin Winder Spool Stand Screw.....
894F	23530	Cloth Plate Bracket (left) Screw for 56641 (2).....
1054C	23527	Oscillating Shaft Crank Slide Block Screw Stud for 5868.....
1095J	23528	Thread Guide Screw.....
1186F	23528	Needle Clamp Holder Clamping Screw for 122490.....
1316C	23528	Lifting Presser Bar Guide Bracket Screw Stud.....
1342F	23529	Shuttle Race Lock Pin Screw.....
1503E	23533	Column Stand Cylinder Support Rod Nut for 56688.....
1508E	23527	Oscillating Rock Shaft Hinge Pin Nut for 56535.....

NUMERICAL LIST OF PARTS

No.	Plate	Name
1508E	23527	Oscillating Rock Shaft Hinge Pin Screw Bearing Nut.....
1513J	23526	Crank Connecting Rod Hinge Screw Nut....
1513J	23526	Feed Connecting Link Hinge Screw Nut (2)
1513J	23527	Feed Rock Shaft Screw Center Nut (2)....
1513J	23527	Oscillating Shaft Crank Slide Block Screw Stud Nut for 19696.....
1513J	23533	Treadle Stop Screw Nut for 56688 and 56697.....
1518E	23528	Lifting Presser Bar Rock Shaft Eccentric Strap Hinge Screw Nut.....
1518E	23528	Needle Bar Connecting Link Hinge Screw Nut.....
1518E	23528	Thread Take-up Lever Roller and Screw Stud Nut for 1995.....
1528D	23528	Lifting Presser Bar Rock Shaft Eccentric Strap Adjusting Screw Nut for 11486 (2).....
1560C	23528	Tension Regulating Thumb Nut for 8183...
1560C	23528	Thread Retainer Regulating Thumb Nut for 33929 (2).....
1562J	23532	Bobbin Winder Tension Regulating Thumb Nut for 27308.....
1620J	23532	Bobbin Winder Frame Hinge Screw Nut for 27646.....
1995	23528	Thread Take-up Lever Roller and Screw Stud with 1518E, for 56714.....
2002	23528	Lifting Presser Bar Rock Shaft Bracket Dowel Pin (short).....
2049	23529	Shuttle Driver and Feed Lifting Cam Pin.
2049	23529	Shuttle Race Dowel Pin (2).....
2076	23529	" (inside) Cover Hinge Pin for 3226 and 3381.....
2076	23529	Shuttle (outside) Cover Hinge Pin for 3229, 3521 and 4729.....
2078	23529	Shuttle (inside) Delivery Eye Thread Guard for 56755.....
2078	23529	Shuttle (outside) Delivery Eye Thread Guard for 56753 and 56754.....
2080	23529	Shuttle (inside) Delivery Eye Thread Guard Rivet for 56755.....
2080	23529	Shuttle (outside) Delivery Eye Thread Guard Rivet for 56753 and 56754.....
2084	23529	Shuttle (inside) Main Spring Steady Pin for 3232 and 3383.....
2084	23529	Shuttle (outside) Main Spring Steady Pin for 3235, 3524 and 4798.....
2086	23529	Shuttle (inside) Tension Spring for 56755.....
2086	23529	Shuttle (outside) Tension Spring for 56753 and 56754.....

NUMERICAL LIST OF PARTS

No.	Plate	Name
2090	23529	Shuttle (inside) Tension Spring Plate for 56755.....
2090	23529	Shuttle (outside) Tension Spring Plate for 56753 and 56754.....
2102	23528	Thread Retainer Disc for 56632 (2).....
2103	23528	" " Spring for 56632 (2)....
2106	23532	Bobbin Winder Tension Thread Guide for 27308.....
2117	23526	Arm Side Wheel Shaft Gear Pin.....
2117	23527	Feed Rock Shaft Arm Pin.....
2117	23527	" " " Crank Pin for 14522.....
2117	23528	Lifting Presser Bar Rock Shaft Adjusting Arm Pin.....
2210	23529	Lifting Presser Bar Rock Shaft Crank Pin Shuttle (inside) Bobbin for 3226 and 3381.....
2210	23529	Shuttle (outside) Bobbin for 3229, 3521 and 4729.....
2212	23529	Shuttle (inside) Bobbin Retaining Spring Rivet for 3232 and 3383 (2).....
2212	23529	Shuttle (outside) Bobbin Retaining Spring Rivet for 3235, 3524 and 4798 (2).....
2413	23528	Thread Retainer Bracket Thread Eyelet (double) for 122439.....
2415	23526	Arm Spool Bracket for 15063.....
2455	23532	Bobbin Winder Tension Disc for 27308 (2)
3012	23526	Arm Shaft Gear Pin.....
3012	23527	Feed Rock Shaft Crank Pin for 14526.....
3226	----	Shuttle (inside) complete for 1/4 in. gauge, Nos. 2076,2210,3232 and 56755
3229	----	Shuttle (outside) complete, for 3/16 in. gauge, Nos. 2076,2210,3235 and 56754
3230	23529	Shuttle (inside) Bobbin Retaining Spring for 3232 and 3383.....
3230	23529	Shuttle (outside) Bobbin Retaining Spring for 3235, 3524 and 4798.....
*3232	23529	Shuttle (inside) Body with 398E, 2084, 3230, 3239 and two 2212, for 3226...
*3235	----	Shuttle (outside) Body with 398E, 2084, 3230, 3240 and two 2212, for 3229...
*3236	23529	Shuttle (inside) Cover for 56755.....
*3237	23529	" (outside) Cover for 3228, 3229, 3520, 3521 and 56754.....
3239	23529	Shuttle (inside) Main Spring for 3232 and 3383.....
3240	23529	Shuttle (outside) Main Spring for 3235, 3524 and 4798.....
3381	----	Shuttle (inside) complete, for 3/16 in. and 5/16 in. to 1/2 in. gauges and above, Nos. 2076,2210,3383 and 56755

NUMERICAL LIST OF PARTS

No.	Plate	Name
*3383	----	Shuttle (inside) Body with 398E, 2084, 3230, 3239 and two 2212, for 3381...
3521	----	Shuttle (outside) complete for 5/16 in. to 1/2 in. gauges, Nos. 2076, 2210, 3524 and 56754.....
*3524	23529	Shuttle (outside) Body with 398E, 2084, 3230, 3240 and two 2212, for 3521...
4389	23528	Lifting Presser Bar Rock Shaft Bracket Dowel Pin.....
*4582	----	Shuttle (outside) Cover for 3519, 4729 and 56753.....
4729	----	Shuttle (outside) complete for 1/4 in. gauge, Nos. 2076, 2210, 4798 and 56753
4797	23528	Thread Take-up Spring (double thread eyelet) for 122438.....
*4798	----	Shuttle (outside) Body with 398E, 2084, 3230, 3240 and two 2212, for 4729...
5795	23528	Tension Wheel with Flange for 56631 (2).
5868	----	Oscillating Shaft Crank Slide Block complete, Nos. 190E, 1054C, 5968 and 9119, for 19696.....
5968	23527	Oscillating Shaft Crank Slide Block Cap Screw Washer for 5868.....
5983	23528	Tension Friction Washer (felt) for 56631 (2).....
5984	23528	Tension Friction Washer (steel) for 56631.....
6132	23527	Feed Forked Connection Universal Joint for 14524 and 56707.....
6223	23529	Shuttle Race Lock Pin.....
6224	23529	" " " " Spring.....
6312	23527	Feed Rock Shaft Crank Roller Cap Screw Washer for 14524.....
6467	23528	Lifting Presser Bar Spring.....
6533	23528	" " " " Stop Collar with 460C.....
7393	23528	Vibrating Presser Bar Guide Plate Position Pin for 122440 (2).....
8183	----	Tension Stud 817C with 1560C, for 56631.
8760	23528	Lifting Presser Bar Lifter Friction Washer.....
8761	23528	Lifting Presser Bar Lifter Stop Pin for 56652.....
8763	23528	Lifting Presser Bar Lifting Link Hinge Stud for 56652.....
8873	23526	Thread Take-up Cam Pin.....
8905	23528	Tension Regulating Thumb Nut Washer for 56631.....
8905	23528	Thread Retainer Regulating Thumb Nut Washer for 56632.....
8909	23534	Wrench for 1513 and 1518 (Accessories)..

NUMERICAL LIST OF PARTS

No.	Plate	Name
8910	23534	Wrench for 1508 (Accessories).....
8973	23528	Lifting Presser Bar Lifting Link Hinge Stud Pin.....
9119	23527	Oscillating Shaft Crank Slide Block for 5868.....
10141	23532	Bobbin Winder Tension Spring for 27308..
10148	23528	Tension Spring for 56631.....
11165	23527	Oscillating Rock Shaft Oil Pad for 56535
11241	23526	Arm Spool Bracket Spool Pin Washer (cloth) (2).....
11241	23532	Bobbin Winder Spool Washer (cloth) for 27308.....
11354	23526	Arm Shaft Bushing.....
11363	23526	Crank Connecting Rod with two 145E.....
11367	23526	Feed Cam with two 445C.....
11368	23526	" Connecting Link.....
11398	23527	Oscillating Rock Shaft Hinge Pin for 56535.....
11459	23533	Motor Starting Treadle Shaft Collar with two 448C, for 56688.....
11486	23528	Lifting Presser Bar Rock Shaft Eccentric Strap with two each 141F and 1528D..
11487	23528	Lifting Presser Bar Rock Shaft Eccentric Strap Hinge Screw Slide.....
11488	23528	Lifting Presser Bar Rock Shaft Eccentric Strap Hinge Screw Slide Washer.....
11831	23534	Screw Driver (large) Accessories.....
11848	23527	Oscillating Shaft Crank for 19696.....
14502	23526	Feed Forked Connection.....
14505	23527	" Rock Shaft Arm with 436C, for 56707
14522	23527	" " " " Crank with 445C, for 14524.....
14523	23527	Feed Rock Shaft Crank Roller for 14524..
14524	----	Feed Rock Shaft Crank complete, for 56645 and 56708, Nos. 164D, 6312, 14522 and 14523.....
14526	23527	Feed Rock Shaft Crank (forked) with 445C, for 56644.....
14578	23526	Arm Side Cover.....
14579	23526	" " Wheel with two 446C.....
14583	23526	Feed Regulator.....
14607	23526	Arm Side Wheel Shaft.....
14786	23526	" Shaft.....
15063	23526	" Spool Bracket 2415 with two 52239...
*15404	----	Trade Mark for 56633.....
15405	----	" " Rivet for 56633 (2).....
16742	23529	Shuttle Race Body (two pieces) with 629D, for 122500.....
19510	23533	Bell Crank (left) Spring for 56697.....
19694	23533	" " " " Hook for 56697.

NUMERICAL LIST OF PARTS

No.	Plate	Name
19696	-----	Oscillating Shaft Crank complete, Nos. 453C, 1513J, 5868 and 11848.....
20640	23527	Arm Shaft Oil Tube, for intermediate bearing (back).....
20640	23527	Feed Rock Shaft Back Bearing Oil Tube...
21506	23533	Motor Starting Lever Connection Stop Collar with 457C, for 56688.....
21629	23528	Needle Bar Connecting Stud with 155C....
25029	23534	Machine Driving Belt Hook for 56689....
26026	23534	Screw Driver (small) Accessories.....
26485	23534	" " (shuttle tension) Accessories.....
27302	23532	Bobbin Winder Frame for 27646.....
27303	23532	" " " Spring for 27646....
27305	23532	" " Spindle for 27646.....
27306	23532	" " Spool Pin for 27308.....
27307	23532	" " " Stand for 27308.....
27308	23532	Spool Stand complete for 27543, Nos. 418E, 1562J, 2106, 10141, 11241, 27306, 27307 and two each 2455 and wood screws 1 in. No. 10.....
27309	23532	Bobbin Winder Stop Latch for 27646.....
27540	23532	" " Base for 27646.....
27541	23532	" " Pulley for 27646.....
27543	-----	Bobbin Winder (swinging automatic, right hand) complete, Nos. 27308 and 27646
27646	23532	Bobbin Winder, Nos. 35D, 1620J, 27302, 27303, 27305, 27309, 27540, 27541, 50356D and two wood screws 1 in. No. 7, for 27543.....
33929	-----	Thread Retainer Screw Stud 637C with 1560C, for 56632.....
39575	23533	Chain Connecting Link Hook (lower) for 43137.....
39576	23533	Chain Connecting Link Hook (upper) for 43137.....
40025	23527	Oscillating Shaft Crank Pin.....
43137	23533	Chain, length 34 in. with 39575 and 39576, for 56697.....
43263	23527	Arm Screw Washer.....
43267	23528	Lifting Presser Bar Lifting Link Hinge Stud Washer.....
50111D	23528	Vibrating Presser Bar Spring Screw.....
50322C	23526	Feed Regulator Thumb Screw.....
50349E	23527	Arm Screw.....
50356D	23532	Bobbin Winder Frame Hinge Screw for 27646.....
50396F	23528	Needle Clamp Screw for 122490.....
50429C	23528	" Set Screw for 122491 (2).....
50437D	23528	Thread Take-up Lever Hinge Screw for 122311.....

NUMERICAL LIST OF PARTS

No.	Plate	Name
50449D	23528	Lifting Presser Bar Bell Crank Connecting Link Hinge Screw.....
50450D	23528	Lifting Presser Bar Bell Crank Hinge Screw.....
50452E	23528	Pressure Regulating Thumb Screw.....
51464C	23530	Cloth Plate Bracket (right) back, Screw for 56641 (2).....
51464C	23530	Cloth Plate Bracket (right) front, Screw for 56641 (2).....
51675R	23530	Cloth Plate Bracket (right) back, Screw Nut for 56641 (2).....
51675R	23530	Cloth Plate Bracket (right) front, Screw Nut for 56641 (2).....
52239	23526	Arm Spool Bracket Spool Pin and Thread Eyelet for 15063.....
56534	23527	Oscillating Rock Shaft for 56535.....
56535	-----	Oscillating Rock Shaft complete, Nos. 622C, 11165, 11398, 56534 and two 1506E
56536	23526	Arm Shaft Gear with two 445C.....
56537	23526	" Side Wheel Shaft Gear with 445C....
56630	23526	Balance Wheel with two 434C.....
56631	-----	Tension complete for 122436, Nos. 5984, 8183, 8905, 10148 and two each 5795 and 5983.....
56632	-----	Thread Retainer complete for 122439, Nos. 2103, 8905, 33929 and two 2102 (2).
*56633	-----	Arm with 15404 and two 15405.....
56636	23530	Cloth Plate for 56641.....
56637	23530	" " Bracket (left) with two 345C, for 56641.....
56641	23530	Cloth Plate with Brackets complete, Nos. 56636, 56637, 122509, 122510, two 894F and four each 51464C and 51675R
*56642	-----	Cylinder.....
56644	23527	Feed Rock Shaft for 122487.....
56645	23527	" " " for 56708.....
56646	23528	Lifting Presser Bar.....
56647	23528	" " " Bell Crank.....
56648	23528	" " " " " Connecting Link.....
56649	23528	Lifting Presser Bar Bushing (lower)....
56650	23528	" " " Guide Bracket with 159D and 453C.....
56651	23528	Lifting Presser Bar Guide Bracket Guide.
56652	23528	" " " Lifter with 8761 and 8763.....
56654	23528	Lifting Presser Bar Rock Shaft.....
56655	23528	" " " " " Bracket..
56656	23528	" " " " " Crank with 453C.....

NUMERICAL LIST OF PARTS

No.	Plate	Name
56661	23528	Needle Bar Bushing (lower).....
56662	23528	" " Connecting Link.....
56664	23527	Oscillating Shaft.....
56667	23529	Shuttle Race Cover.....
56671	23528	Tension Thread Guard for 122438.....
56672	23528	Thread Retainer Bracket for 122439.....
56673	23526	" Take-up Cam with two 437C.....
56675	23528	" " Spring Regulator Plate for 122438.....
56676	23531	Throat Plate Body for 122495.....
56682	23528	Vibrating Presser Bar Guide Plate.....
56683	23528	" " " Spring.....
56686	23533	Column Stand Cylinder Support Rod for 56688.....
56687	23533	Column Stand for 56688.....
56688	-----	Column Stand complete, Nos. 134D, 295C, 1503E, 1513J, 11459, 21506, 56686, 56687, 56691, 56695, 56696, 56701 to 56705, four 779E and five 494E.....
56689	-----	Machine Driving Belt, size 5/16 in., length 66 in. with 25029.....
56690	23532	Bobbin Winder Bracket.....
56691	23532	" " Spool Stand Bracket for 56688.....
56692	23533	Bell Crank (left) for 56697.....
56693	23533	" " (right) for 56697.....
56694	23533	" " Connecting Rod for 56697.....
56695	23533	Treadle for 56688 and 56697.....
56696	23533	" Spring for 56688 and 56697.....
56697	-----	Foot Lifter complete, for column stand, Nos. 86D, 295C, 1513J, 19510, 19694, 43137, 56692 to 56696 and two 567D..
56701	23533	Motor Starting Lever Connection for 56688.....
56702	23533	Motor Starting Treadle with two 356C, for 56688.....
56703	23533	Motor Starting Treadle Shaft for 56688..
56704	23533	" " " " Crank with two 356C, for 56688.....
56705	23533	Motor Starting Treadle Shaft Crank Hook for 56688.....
56707	-----	Feed Rock Shaft Arm 14505 with 212C and 6132, for 56708.....
*56708	-----	Feed Rock Shaft 56645 with 14524 and 56707, for 304.....
56714	23528	Thread Take-up Lever with 1995, for 122311.....
*56753	-----	Shuttle (outside) Cover 4582 with 112E, 466C, 2078, 2080, 2086 and 2090, for 4729.....

NUMERICAL LIST OF PARTS

No.	Plate	Name
*56754	-----	Shuttle (outside) Cover 3237 with 112E, 466C, 2078, 2080, 2086 and 2090, for 3229 and 3521.....
*56755	-----	Shuttle (inside) Cover 3236 with 112E, 466C, 2078, 2080, 2086 and 2090, for 3226 and 3381.....
58578	23528	Lifting Presser Bar Rock Shaft Adjusting Arm with 453C.....
61605	23528	Vibrating Presser Bar Spring Hook for 122496.....
65024	23529	Shuttle Driver and Feed Lifting Cam....
120344	23534	Oiler (copper plated) with 120345 (Ac- cessories).....
120345	23534	Oiler Spout, 4 1/2 in. long, for 120344..
122311	-----	Thread Take-up Lever 56714 with 50437D..
122328	23526	Arm Side Wheel Shaft Bushing.....
122438	23528	Tension Bracket and Vibrating Presser Bar Cap 122440 with 4797, 56631, 56671, 56675 and two 219J.....
122439	-----	Thread Retainer Bracket complete, Nos. 190D, 2413, 56672 and two 56632....
122440	23528	Tension Bracket and Vibrating Presser Bar Cap with 447C and two 7393, for 122438.....
122441	23526	Arm Side Wheel Shaft Gear Cover for 122443.....
122442	23526	Arm Side Wheel Shaft Gear Cover Strap for 122443.....
122443	23526	Arm Side Wheel Shaft Gear Cover complete, Nos. 122441, 122442 and two 164D....
122466	23531	Lifting Presser Foot Bracket with 180E..
122481	23527	Arm Dowel Pin (2).....
122483	23528	Needle Bar Bushing (upper).....
122485	23531	Feed Dog, 13 teeth (18 teeth to the inch) for 122495.....
122486	23527	Feed Dog Carrier for 122487.....
122487	-----	" Rock Shaft 56644 with 122486.....
122488	23531	Lifting Presser Foot.....
122489	23528	Needle Bar for 122490.....
122490	-----	" " 122489 with 1186F, 50396F, 122491 and 122492.....
122491	23528	Needle Clamp with two 50429C, for 122490
122492	23528	" " Holder for 122490.....
122493	23531	Throat Plate Needle Plate (small needle hole) for 122495.....
122494	23531	Throat Plate Needle Plate (large needle hole) for 122495.....
122495	23531	Throat Plate complete, for 122485, for 5/16 in. gauge, Nos. 56676, 122493, 122494 and two 401D.....

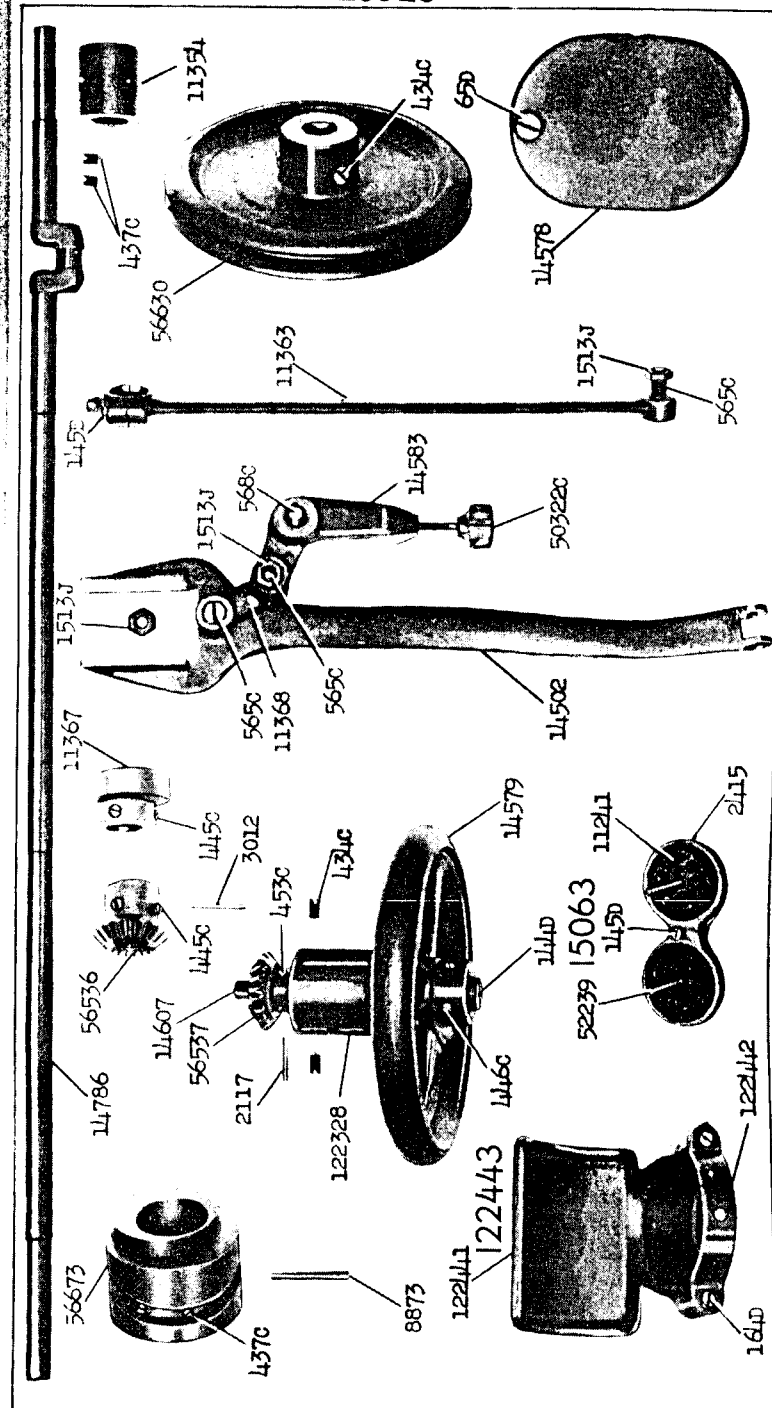
NUMERICAL LIST OF PARTS

No.	Plate	Name
122496	23528	Vibrating Presser Bar with 61605, for 122497.....
122497	-----	Vibrating Presser Bar 122496 with 122504 and two 220J.....
122498	23531	Vibrating Presser Foot.....
122499	23528	Lifting Presser Bar Lifting Link.....
122500	23529	Shuttle Race complete, Nos. 665D, 16742 and 122501.....
122501	23529	Shuttle Race Loop Separator for 3/8 in. to 3/4 in. gauges, for 122500.....
122502	23527	Oscillating Shaft Collar with two 453C..
122503	23528	Thread Guide with two thread holes.....
122504	23528	Vibrating Presser Bar Cushion (rawhide) for 122497.....
122505	23527	Arm Shaft Oil Tube, for intermediate bearing (front).....
122509	23530	Cloth Plate Bracket (right) back, for 56641.....
122510	23530	Cloth Plate Bracket (right) front, for 56641.....
140148F	23528	Vibrating Presser Bar Hinge Screw.....

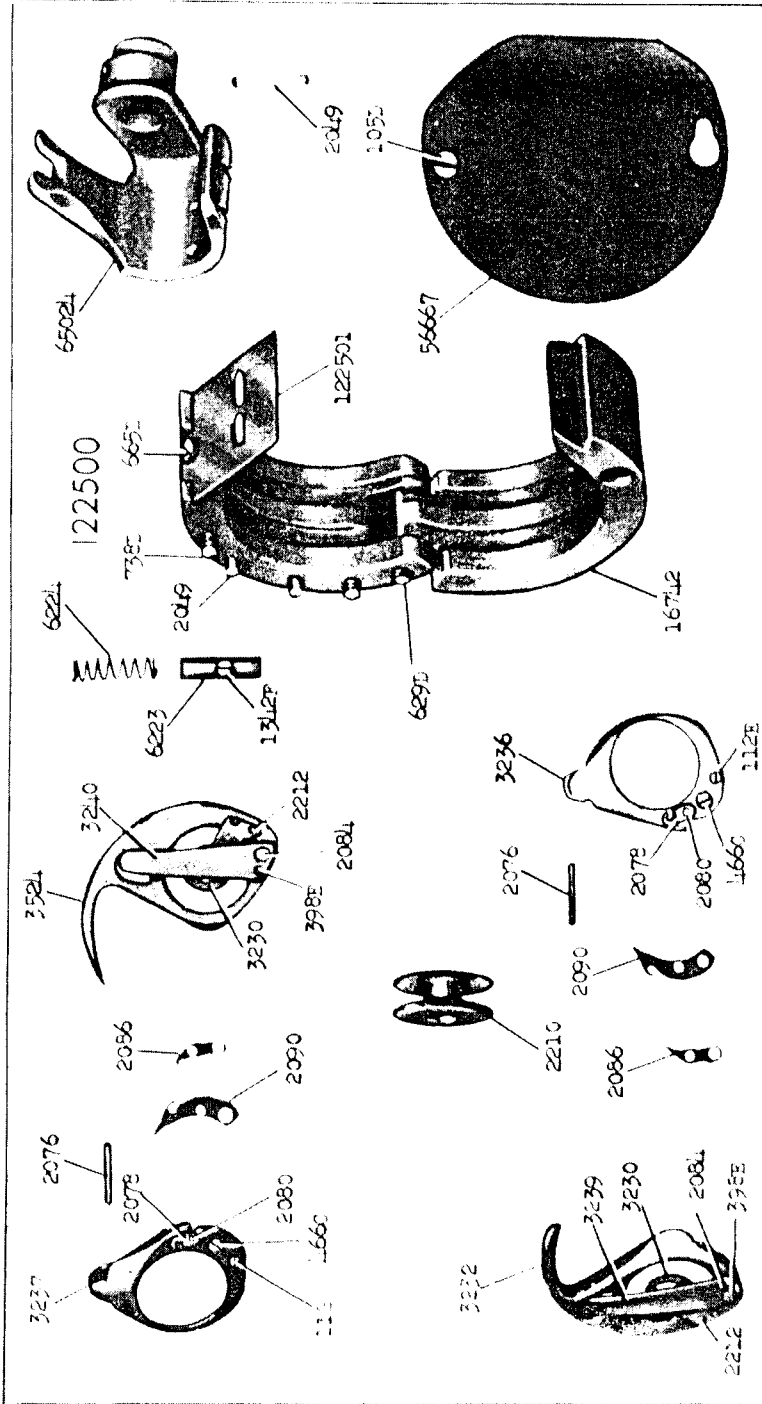
SINGER Needles should be used in SINGER Machines
 These Needles and their Containers are marked with the Company's Trade Mark "SIMANCO."** 1

Needles in Containers marked "FOR SINGER MACHINES" are NOT SINGER made needles. 2

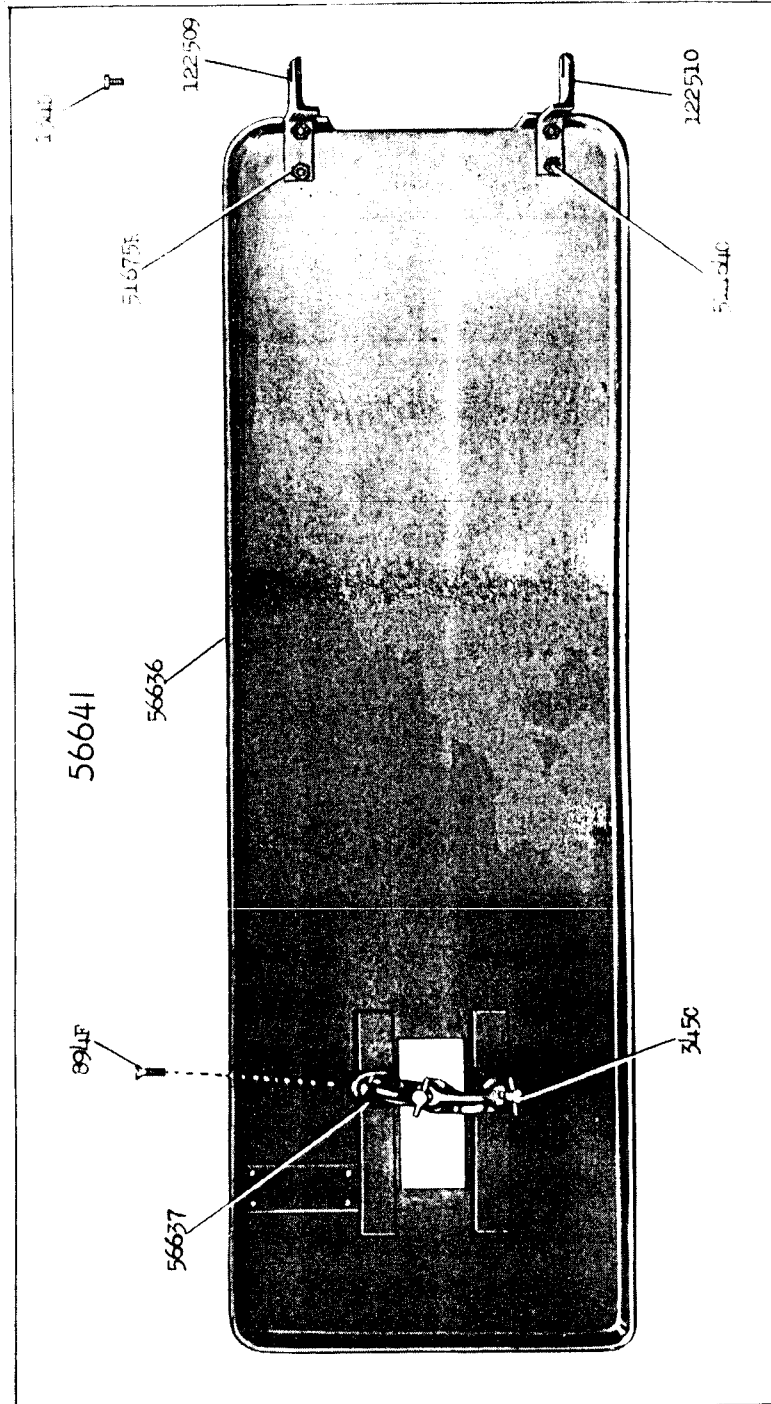
23526



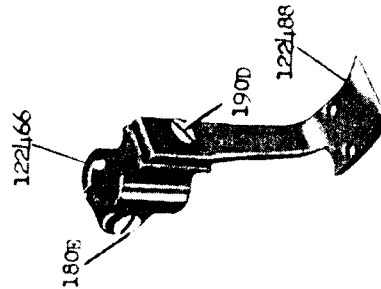
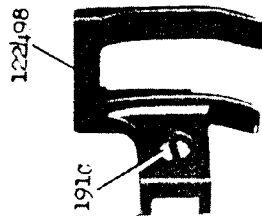
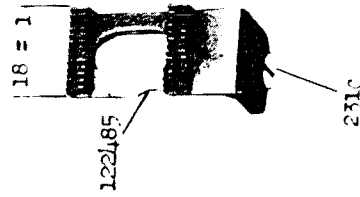
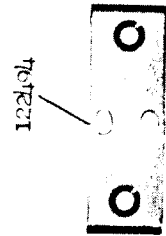
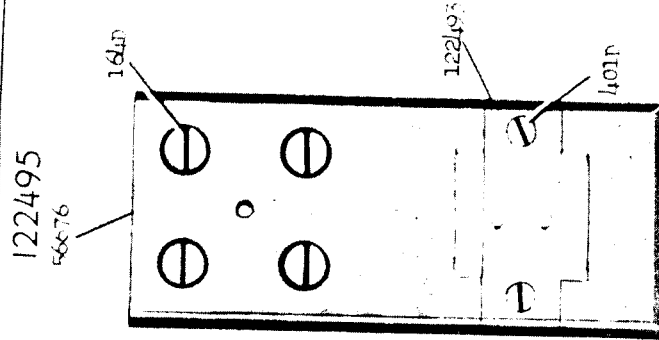
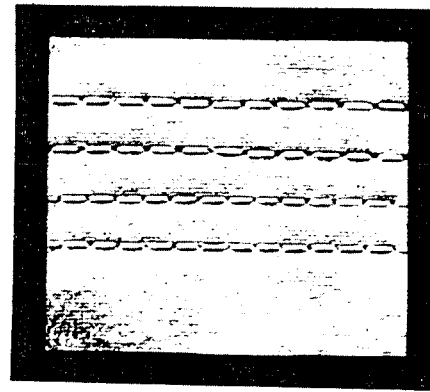
23529 - 1/2



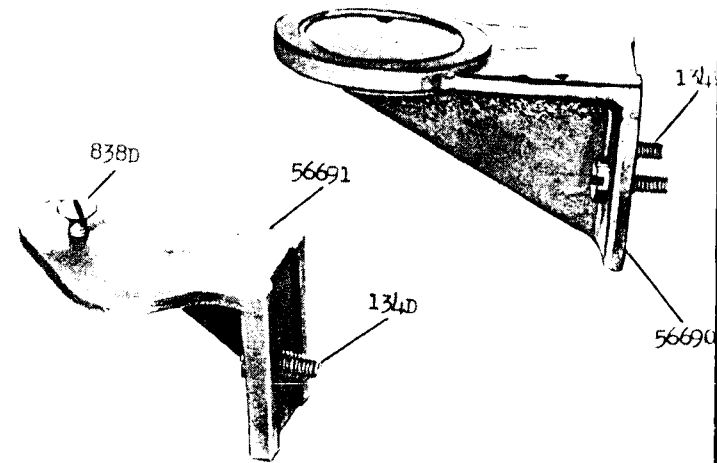
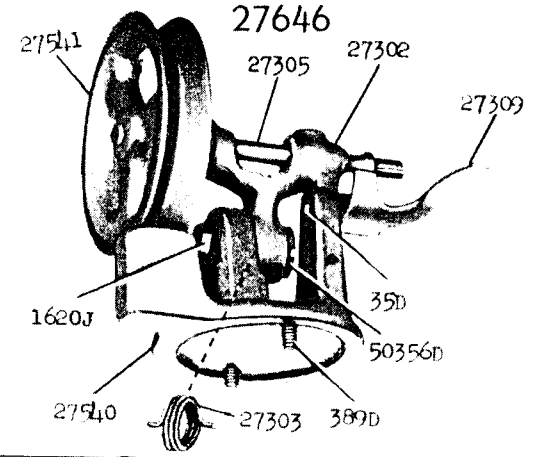
23530 - 1/4



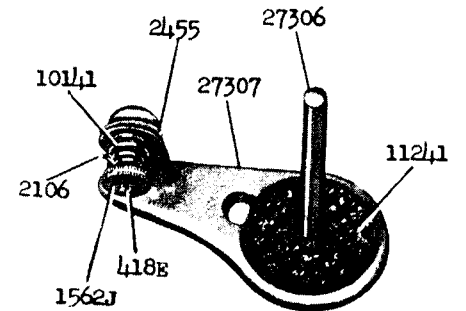
23531 - 2/3



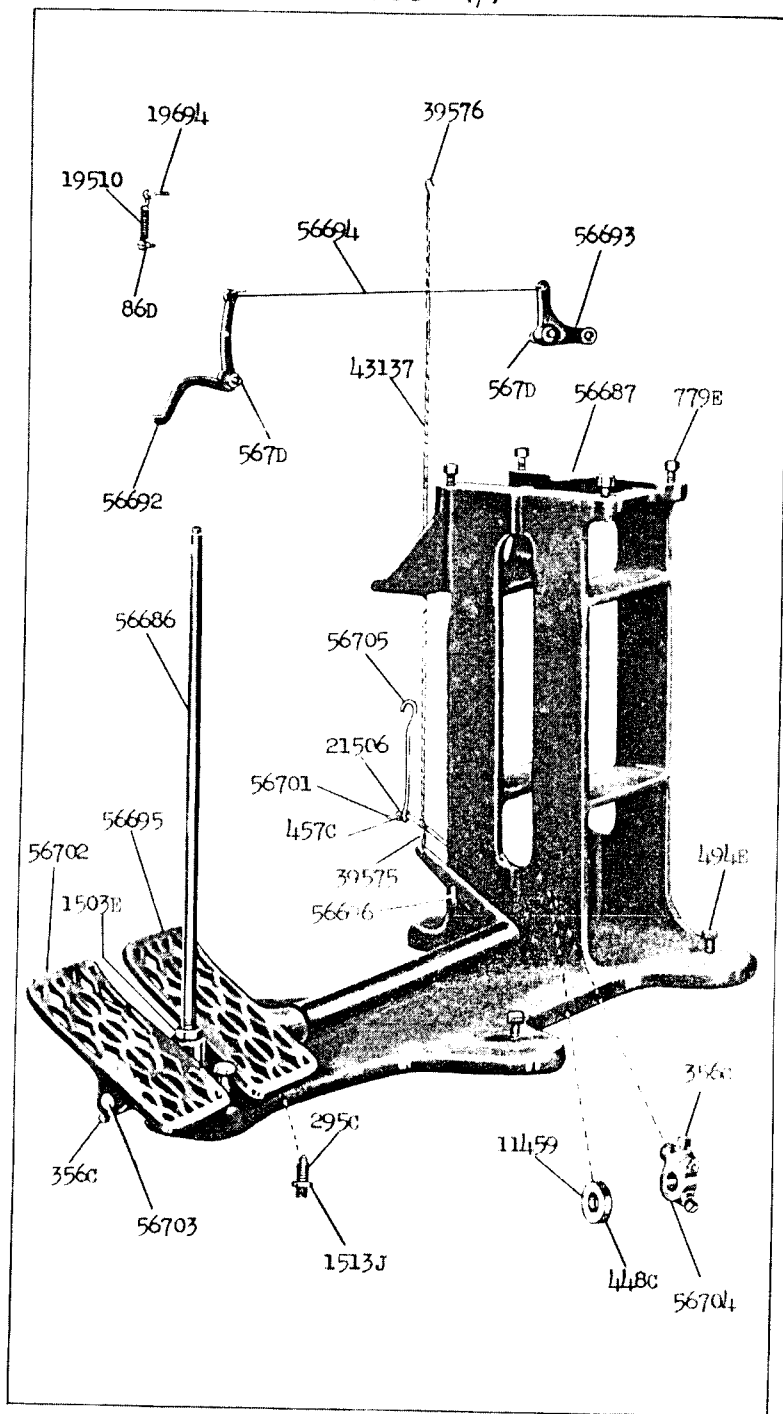
23532 - 1/2



27308



23533 - 1/7



23534 - 1/2

